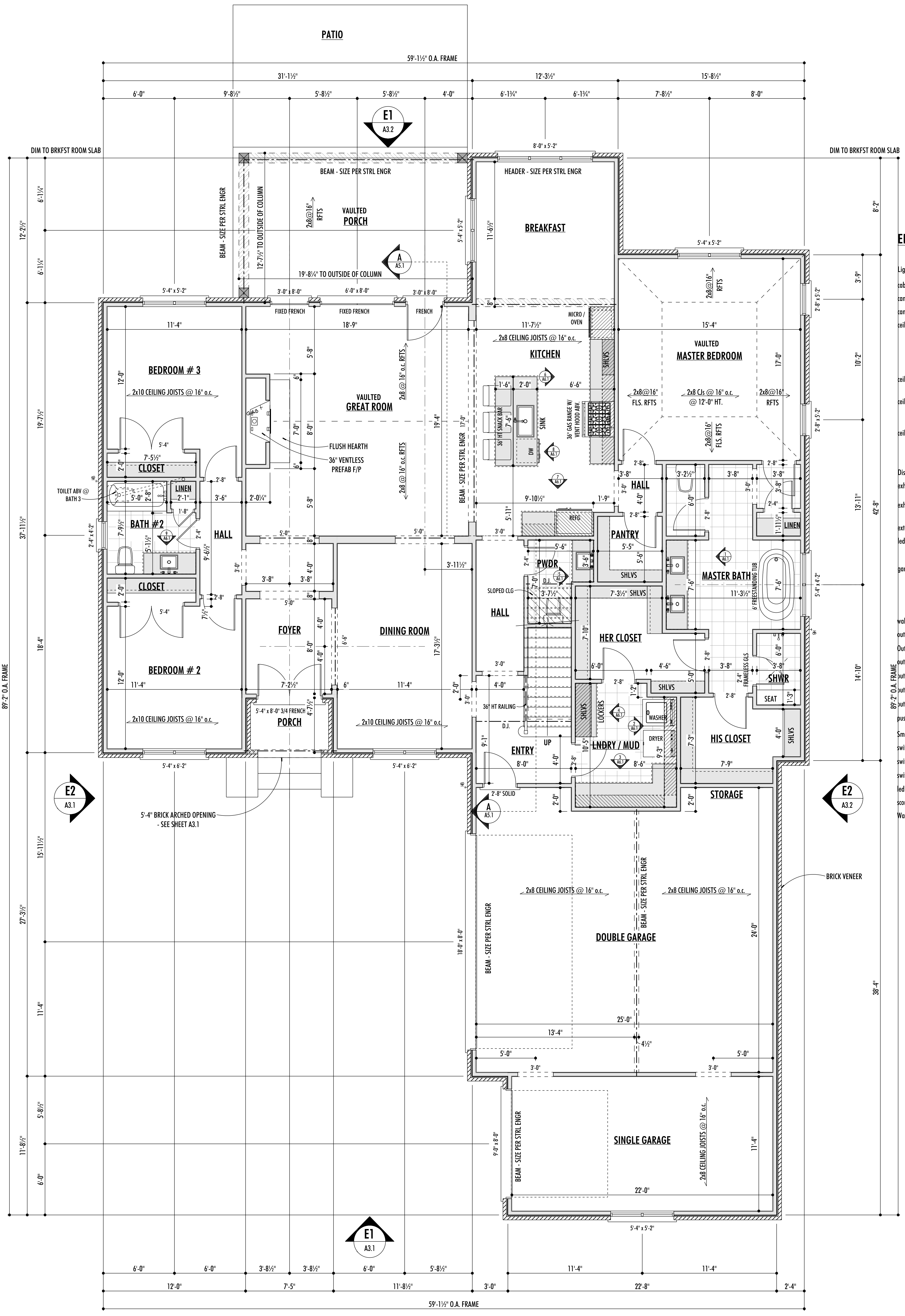


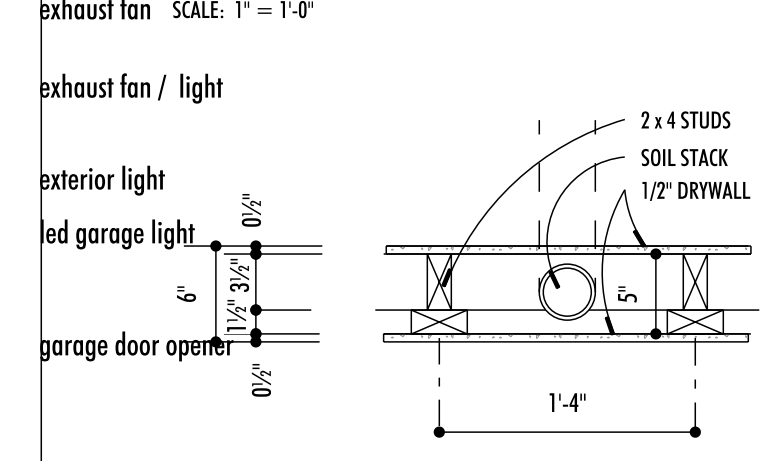
Brad A. McMillin, PBD, CGP
1234 Dovecrest Road - Memphis, TN 38154
901.888.8040 - bradah@comcast.net - www.ahdplans.com



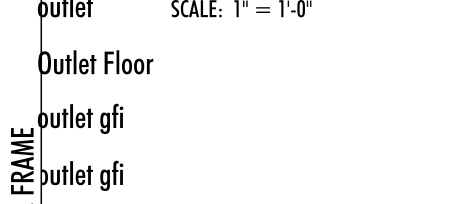
ELECTRICAL LEGEND

- | ELECTRICAL | SYMBOL |
|-----------------------|----------|
| Light Pendant | (Symbol) |
| cable tv outlet | (Symbol) |
| can light 4inch | (Symbol) |
| can light wp | (Symbol) |
| ceiling fan 5" w/ led | (Symbol) |

WALL DETAILS



6" PLUMBING WALL



GENERAL NOTES

- ALL FIRST LEVEL DOORS & CASED OPENINGS TO BE 8'-0" HT.
- ALL SECOND LEVEL DOORS & CASED OPENINGS TO BE 6'-8" HT. EXCEPT WHERE NOTED OTHERWISE.
- DIMENSIONS ON FLOOR PLANS ARE TO SURFACE OF 1/2" SHEETROCK.
- ARE TO EXTERIOR FACE OF STUD.
- ARE TO EXTERIOR FACE OF STUD.
- ALL FIRST & SECOND LEVEL WINDOWS TO BE HUNG @ 6'-8" HT.
- 1 1/8" HT. CEILINGS @ FIRST LEVEL
- 9'-1 1/8" CEILING HT. @ SECOND LEVEL
- EXCEPT WHERE NOTED OTHERWISE
- PROVIDE SEISMIC BRACING PER LOCAL CODE ENFORCEMENT
- PORCH CEILINGS - PROVIDE 1 x 6 T&G PER OWNERS DIRECTION

AREA SCHEDULE

NAME	AREA
Heated First Level	2608 sq. ft.
Heated Second Level	738 sq. ft.
Total Heated	3346 sq. ft.
Total Under Roof	4542 sq. ft.
Unheated	1196 sq. ft.

P1 FIRST LEVEL FLOOR PLAN
SCALE: 1/4" = 1'-0"

COPYRIGHT 2023

DESIGN FOR:
DKH Builders

Project number: 770 CARDINAL COVE
Date: Monday, July 10, 2023
Drawn by: Brad A. McMillin
Checked by: Brad A. McMillin

A2.1

Scale: AS INDICATED